



# Schweizer 300C™ Piston Helicopter

*The Ultimate In Versatility!*

**Schweizer Aircraft**  
A Subsidiary of Sikorsky Aircraft

# Schweizer 300C™ Helicopter

*The More You Know, The Better You'll Like Schweizer!*

The Schweizer Model 300C helicopter is known the world over as the finest and most versatile piston engine helicopter. Through a program of continuous design evolution and innovation, the new Model 300C is now even better than ever.

The "new" Model 300C provides:

1. Superior performance for a broad range of roles.
2. Unequaled maneuverability.
3. Inherent flight stability and responsive handling characteristics.
4. Excellent visibility and spacious cockpit.
5. Low noise characteristics for quiet operation.
6. Outstanding range and endurance.
7. Tri-level energy absorption system.
8. Field replaceable components for easy maintenance.

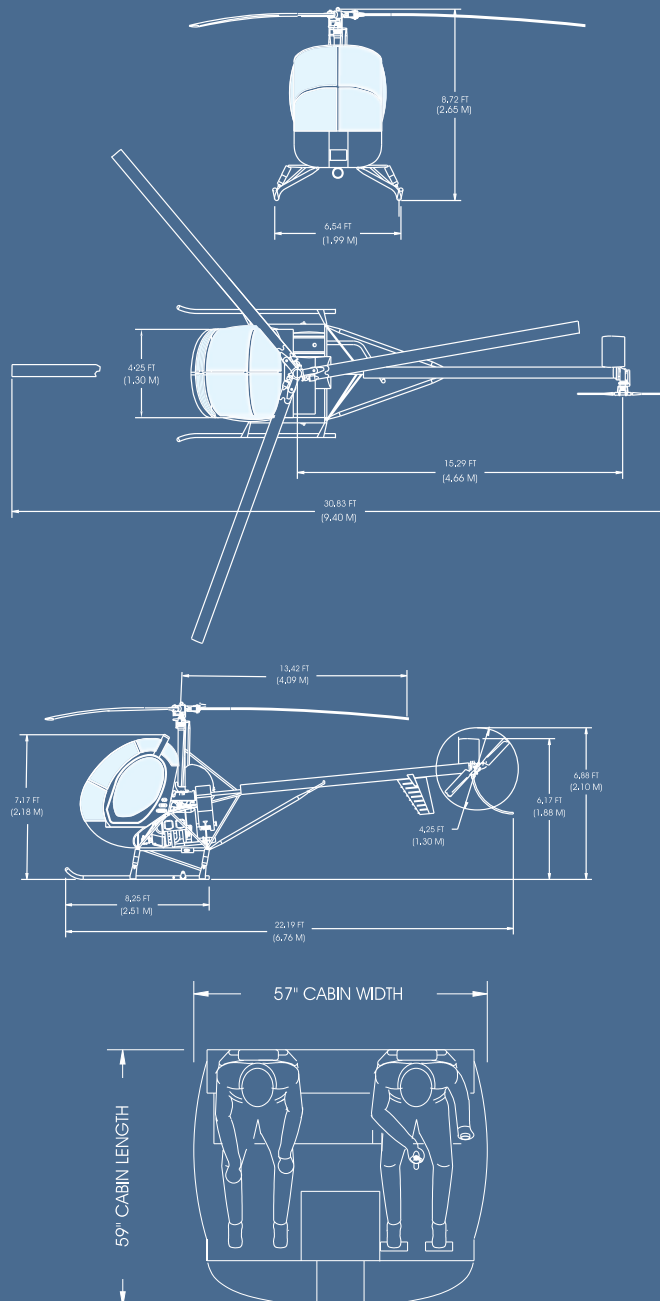
In addition, the Model 300C is supported by a Worldwide Service Center network.

## The Ultimate in Versatility

The Model 300C has proven its value in many diverse applications around the world including:

- Personal transportation
- Military and civilian training
- Aerial photography
- Law enforcement patrol
- Pipeline/traffic patrol
- Aerial application
- Aerial surveys
- Lift operations

The Schweizer Model 300C...mission capable, effective, affordable, everything a helicopter should be. For more information and the name of the distributor near you, contact Schweizer Aircraft today.



## Performance

VNE (Kias) at Sea Level	95 knots	176 km/hr
Cruise Speed	86 knots	159 km/hr
Maximum Endurance	3.8 hrs	3.8 hrs
Maximum Endurance (32 gal)	3.7 hrs	3.7 hrs
Maximum Endurance (64 gal)	7.4 hrs	7.4 hrs
Hover Ceiling IGE @ 1700 lbs	10,800 ft	3,292 m
Hover Ceiling OGE @ 1700 lbs	8,600 ft	2,621 m

## Dimensions

Height (overall)	8.72 ft	2.65 m
Length (overall)	30.83 ft	9.40 m
Fuselage Length	22.19 ft	6.76 m
Landing Gear Tread Width	6.54 ft	1.99 m

## Weight

Empty Weight	1,100 lb	499 kg
Gross Weight	2,050 lb	930 kg
Useful Load	950 lb	431 kg

## Powerplant

Textron Lycoming HIO-360 D1A Engine

Maximum Take Off	190 shp	141 kw
Maximum Continuous	190 shp	141 kw

## Rotor System

Main Rotor Diameter	26.83 ft	8.18 m
Main Rotor Disk Area	565 sq ft	52.49 sq m
Main Rotor RPM	471 rpm	471 rpm
Tail Rotor Diameter	4.25 ft	1.30 m

## Fuel

Standard Capacity 32 gal	192 lb	87 kg
Auxiliary Capacity 32 gal	192 lb	87 kg

## Seating Capacity

Training	2	2
Utility	3	3

Schweizer Aircraft Corp.  
Elmira, NY USA  
+1 (607) 739-3821  
[www.sacusa.com](http://www.sacusa.com)

**Schweizer Aircraft**

A Subsidiary of Sikorsky Aircraft