



Schweizer 333™ Helicopter

The Model 333 Has It All!

Schweizer Aircraft
A Subsidiary of Sikorsky Aircraft

Schweizer 333™ Helicopter

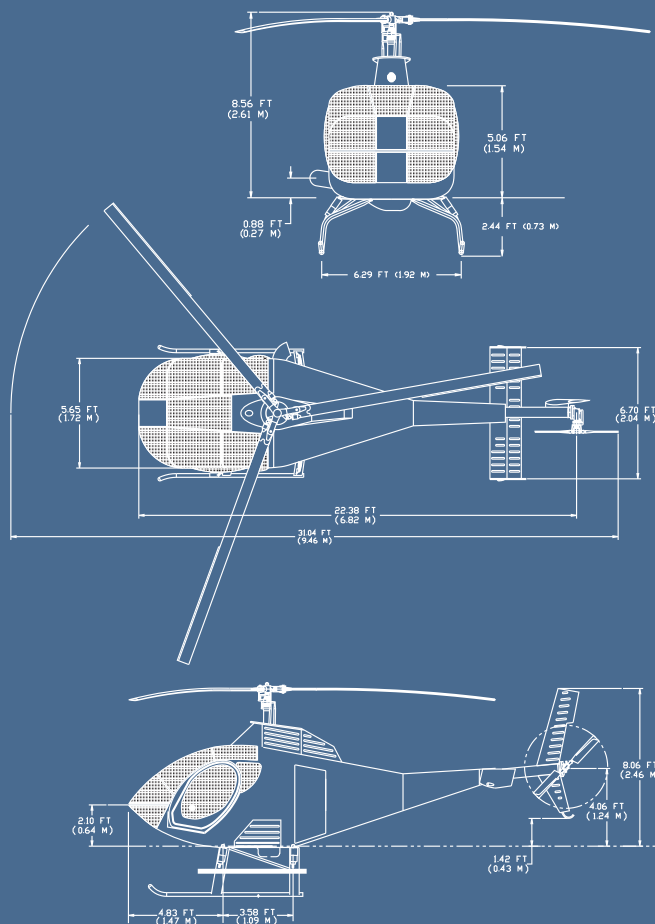
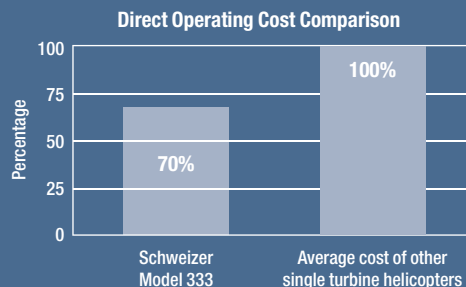
The Model 333 Has It All!

The Schweizer Model 333 has the power, gross weight, useful load, speed and hover performance to meet a broad spectrum of operational requirements. Best of all, the Model 333 provides the lowest direct operating cost of any turbine powered helicopter. The Model 333...the new standard for light turbine-powered helicopters.

The Model 333 provides:

1. Useful load to support a multitude of missions.
2. Superior cruise and hover performance in high and hot operating conditions.
3. Bottom line value: the most cost-effective turbine helicopter on the market today.
4. Unequalled flight stability and outstanding handling characteristics.
5. High stance landing gear with improved ground clearance.
6. Spacious cabin with superb visibility.
7. Reduced pilot fatigue because of ergonomically designed seats, low control forces, low vibration levels, and low cabin noise levels.
8. Forgiving flight characteristics and components with proven reliability.
9. Unparalleled energy absorption system.
10. Lowest noise signature of any conventional tail rotor turbine helicopter.

The Schweizer Model 333 is a helicopter you must fly to believe. The Model 333 is supported by a Worldwide Service Center network providing a broad range of customer services, from spare parts support to maintenance training. For more information and the name of the distributor nearest you, contact Schweizer Aircraft today.



Spacious 3 or 4 place interior



72.4"
Cabin
width

Performance

VNE (Kias) @ 2,300 lb (0 to 4,000 ft)	120 knots	222 km/hr
Cruise Speed @ 2,300 lb (4,000 ft, std day)	105 knots	192 km/hr
Maximum Endurance (2,000 ft, std day)	3.9 hrs	3.9 hrs
Maximum Range (2,000 ft, std day)	310 nm	574 km
Hover Ceiling IGE @ 2,550 lb*	8,900 ft	2,713 m
Hover Ceiling IGE @ 2,300 lb*	12,300 ft	3,749 m
Hover Ceiling OGE @ 2,550 lb*	5,900 ft	1,798 m
Hover Ceiling OGE @ 2,300 lb*	9,200 ft	2,835 m

Weight

Empty Weight	1,300 lb	590 kg
Gross Weight	2,550 lb	1,157 kg
Useful Load	1,250 lb	567 kg

Powerplant

Rolls-Royce Turbine 250-C20W

Maximum Takeoff	253 shp	176 kw
Optional Maximum Takeoff	280 shp	209 kw
Maximum Continuous	232 shp	164 kw

Rotor System

Main Rotor Diameter	27.51 ft	8.39 m
Main Rotor Disk Area	594 sq ft	55.18 sq m
Main Rotor RPM	466-471 rpm	466-471 rpm
Tail Rotor Diameter	4.25 ft	1.30 m

Fuel

Usable Fuel Capacity 73 gal	493 lb	224 kg
-----------------------------	--------	--------

Seating Capacity

Training	3	3
Utility	4	4

*Note: Performance data based on company flight test and analysis at a maximum takeoff power of 280 shp

Schweizer Aircraft Corp.
Elmira, NY USA
+1 (607) 739-3821
www.sacusa.com

Schweizer Aircraft
A Subsidiary of Sikorsky Aircraft